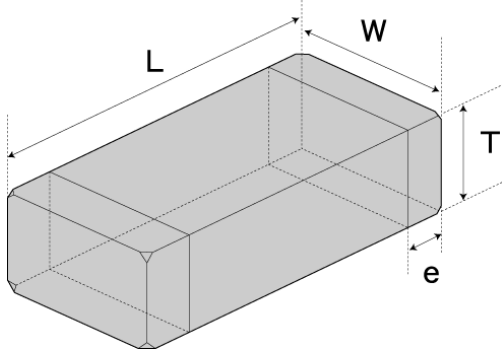


Spec Sheet

High Frequency Multilayer Chip Inductors for Automotive / Industrial Applications (HK series)

HK2125R15J-TV



■ Features

- Item Summary
150nH(±5%), 100mA, 13, 0805
- Lifecycle Stage
Mass Production
- AEC-Q200 qualified
- Standard packaging quantity (minimum)
Taping 3000pcs

■ Products characteristics table

CaseSize (EIA/JIS)	0805/2012
Inductance	150nH(±5%)
Inductance Measuring Frequency	50MHz
Rated Current	100mA
DC Resistance (max)	1Ω
Avg. of DC.Resistance	0.46Ω
Temperature Range	-40 to +125 °C
Self-resonant Frequency (min)	500MHz
Q (max)	13min
Q Measuring Frequency	50MHz
RoHS Compliance	Yes
Halogen Free	Yes
Soldering Method	Reflow/Wave

■ External Dimensions

L	2mm +0.3:-0.1
W	1.25mm ±0.2
H	1mm +0.2:-0.3
e	0.5mm ±0.3

The data is reference only. Electrical characteristics vary depending on environment or measurement condition.
TAIYO YUDEN reserves the right to make change to the Date at any time without notice.
Before making final selection, please check product specification.

2015.04.29